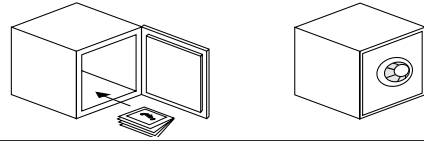


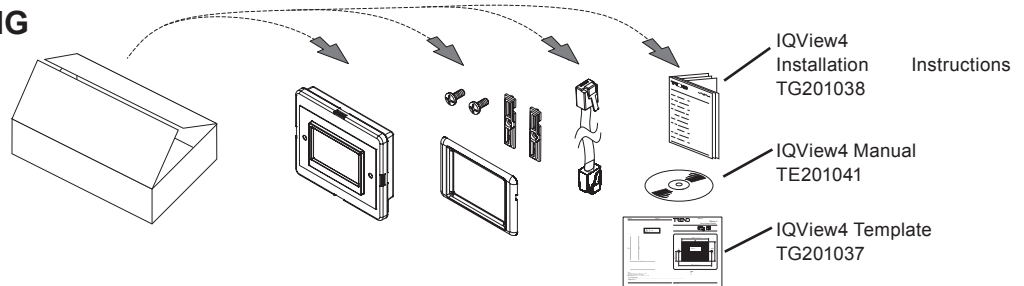
Important: Retain these instructions



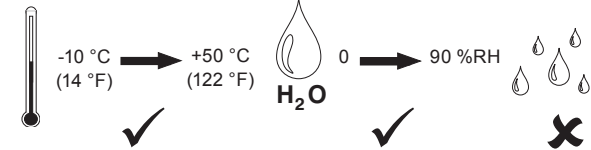
CONTENTS

1.	Unpacking	1	3.2	Installation - Configuration	4
2.	Storing	1	4.	End User Licence Agreement	6
3.	Installation Instructions	1	5.	Removal of Bezel	7
3.1.	Installation - Mounting	1	6.	Disposal	7

1 UNPACKING



2 STORING

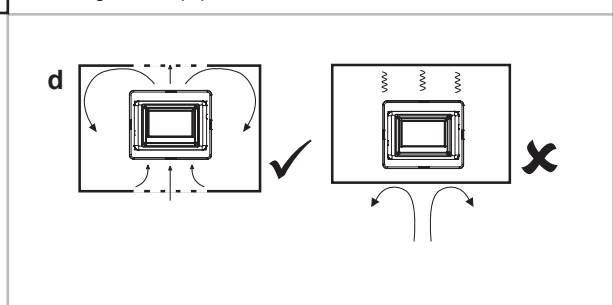
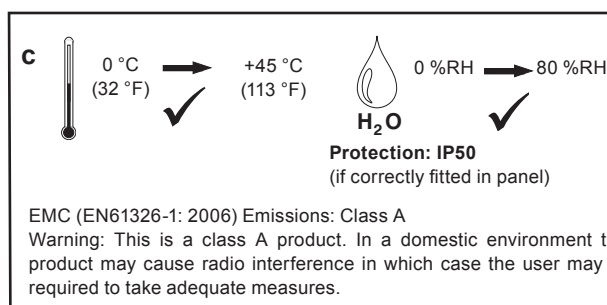
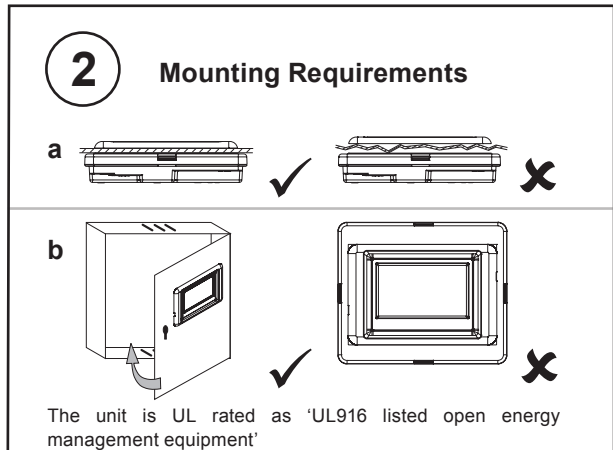
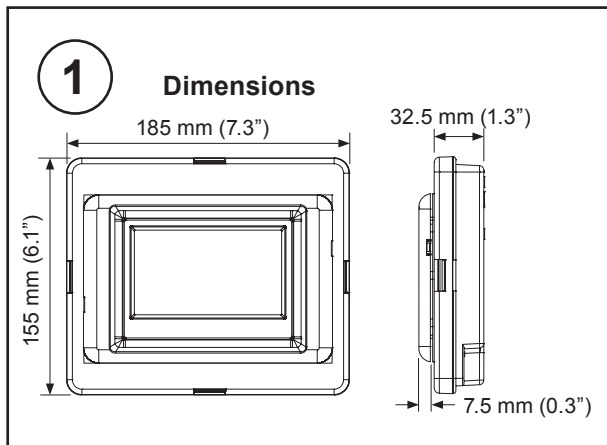


It is recommended that the installation should comply with the HSE Memorandum of Guidance on Electricity at Work Regulations 1989. For USA install equipment in accordance with National Electric Code

3 INSTALLATION

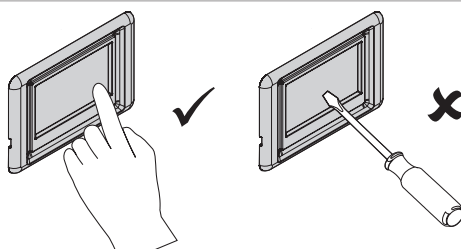
3.1 Installation Mounting

WARNING
Do not attempt to open the unit. Failure to comply may cause damage to the unit



3.1 Installation - Mounting (continued)

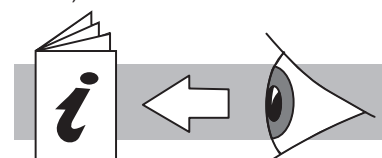
3 Care of Touch Screen



Cleaning the Screen
Remove dust and grease regularly by wiping gently with a soft cloth such as that used for spectacles

4 Use IQVIEW4 SM BOX

To mount on a wall, or on a panel (and avoid cutting square holes).

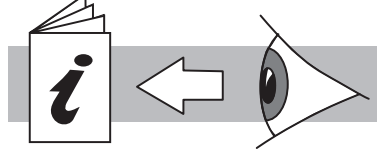


IQVIEW4 SM BOX
Installation Instructions TG201078

Then go to section 3.2

5 Use IQVIEW4/FPK ADAPTOR PLATE

For semi-flush mounting in panel in place of FPK (2 line display panel, front panel kit), GDP, or NDP

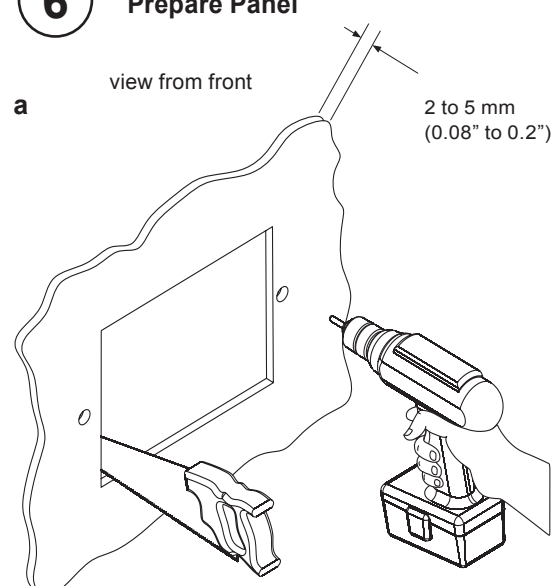


IQVIEW4/FPK ADAPTOR PLATE
Installation Instructions TG201039

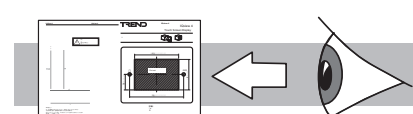
Then go to step 7

6 Prepare Panel

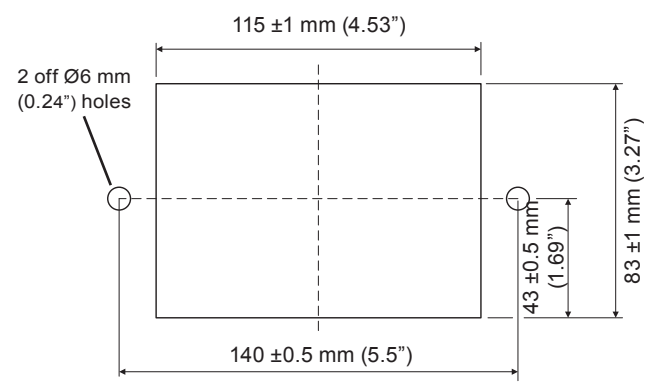
a view from front



2 to 5 mm (0.08" to 0.2")



IQView4 template TG201037 (supplied)



115 ± 1 mm (4.53")

83 ± 1 mm (3.27")

140 ± 0.5 mm (5.5")

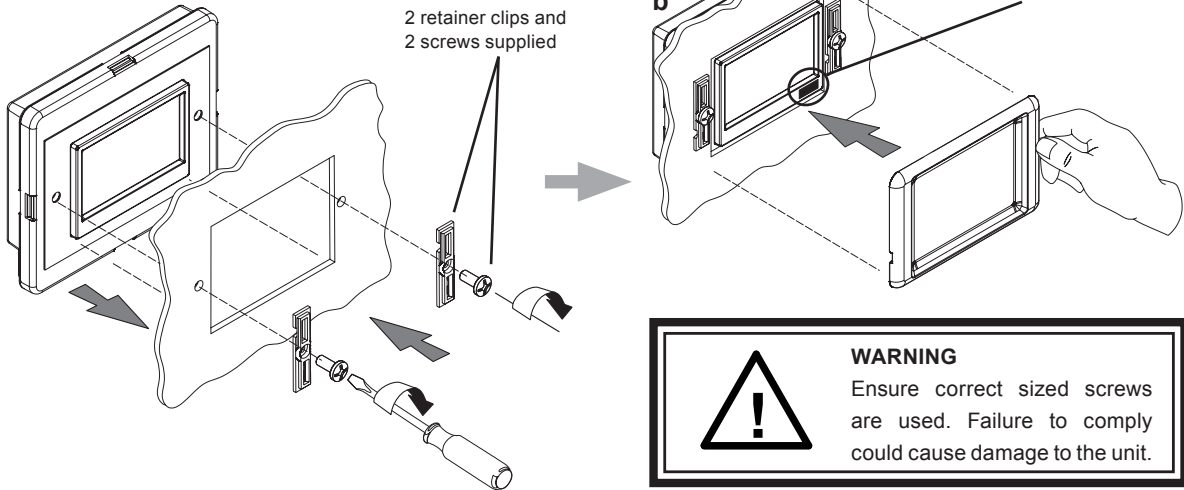
43 ± 0.5 mm (1.69")

2 off Ø6 mm (0.24") holes

3.1 Installation - Mounting (continued)

7 Mount Unit

view from front



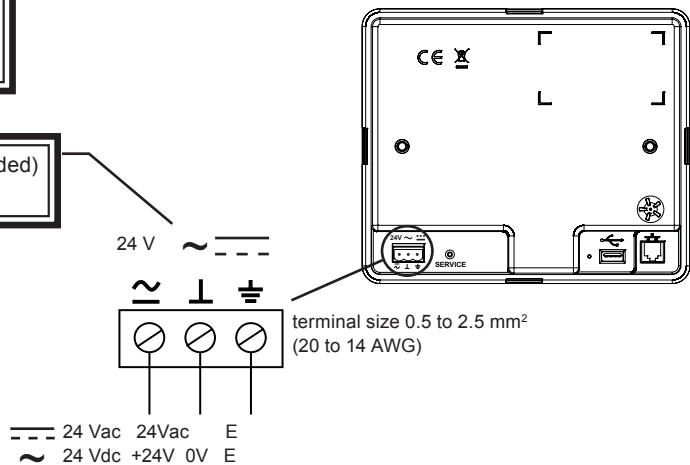
8 Connect Power

24 Vdc $\pm 10\%$ at 3 W, or 24 Vac $\pm 10\%$, 50/60 Hz at 8 VA

DO NOT APPLY 230V INPUT POWER TO THIS CONNECTOR

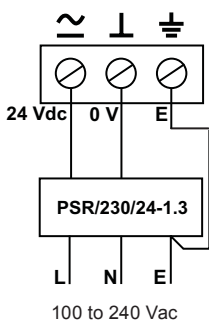
WARNING: This apparatus must be earthed (grounded) (via supply earth (ground) terminal)

DO NOT SWITCH ON

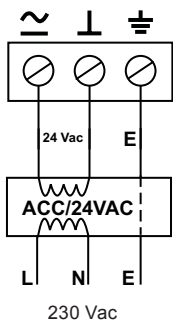


Note that the required power cannot be guaranteed to be provided from an IQ controller's auxiliary supply output; a separate supply is generally required.

Using 24 Vdc power supply (e.g. PSR/230/24-1.3)

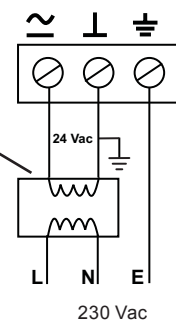


Using 230Vac/24Vac transformer with isolated output (e.g. ACC/24 VAC)



Using 230 Vac/24 Vac transformer with one side earthed (grounded)

Some transformers are earthed (grounded) on one side of the secondary. If so ensure the earthed (grounded) side is connected to the central terminal of the power connector. If the polarity of the connection is incorrect the unit will not power up. If this happens swap the connections to the left (\approx) and central (\perp) terminals.



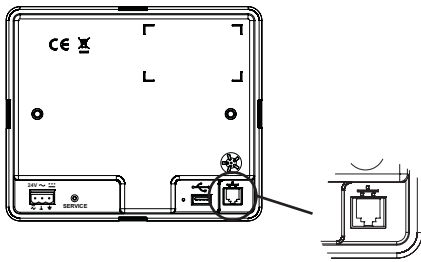
3.1 Installation - Mounting (continued)

9 Connect RS232

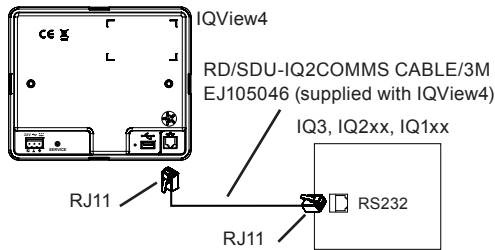
Note that IQView4 cannot be connected to a controller with local supervisor port already used (e.g. wireless sensor receiver XW/RIQ, NDP, IQView (RS232), or local PC) or to /ADL, ATM or XNC220 controllers.

Note that Supervisor Port Address should be set to zero (default).

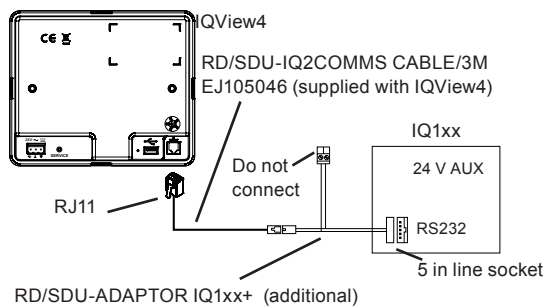
Note that for IQ1xx controllers with a separate CNC board, the Address module Local address parameter, R(L), must be set up correctly so that the IQView4 can identify the controller.



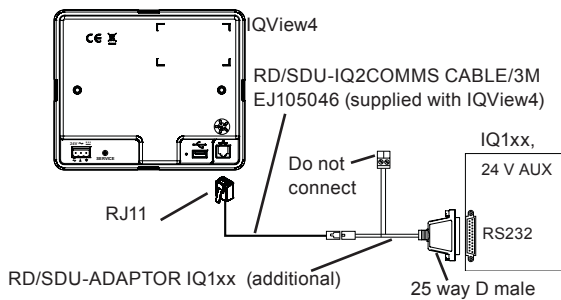
IQ3, IQ2xx, (some IQ1xx with RJ11)



IQ1xx with 5 way in line plug



IQ1xx with 25 Way D type female



Note that the RD/SDU-IQ2COMMS CABLE/10M, EJ105047, 10 m cable, may be used instead of the RD/SDU-IQ2COMMS CABLE/3M, EJ105046, 3 m cable, but it is not UL listed, and is not supplied with the IQView4.

3.2 Installation - Configuration

1 Read Licence

Read and agree to End User Licence Agreement (see Section 4)

2 Close Panel

3 Switch On

3.2 Installation - Configuration (continued)

4 Startup

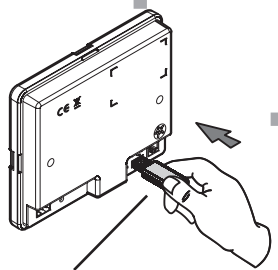


< or > Select language

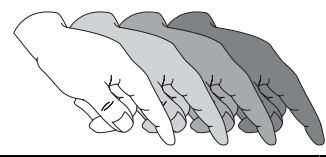
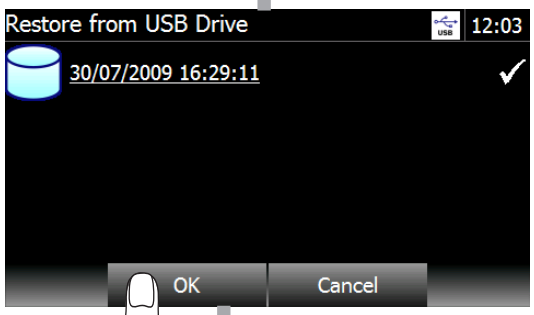
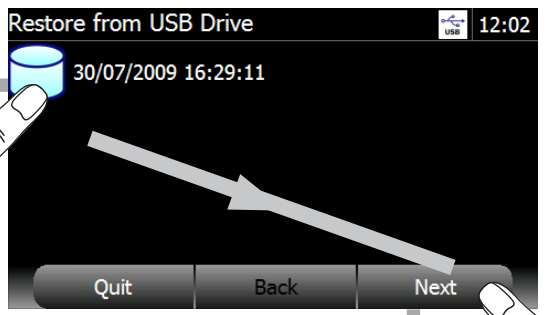


If not restoring

If restoring from memory stick



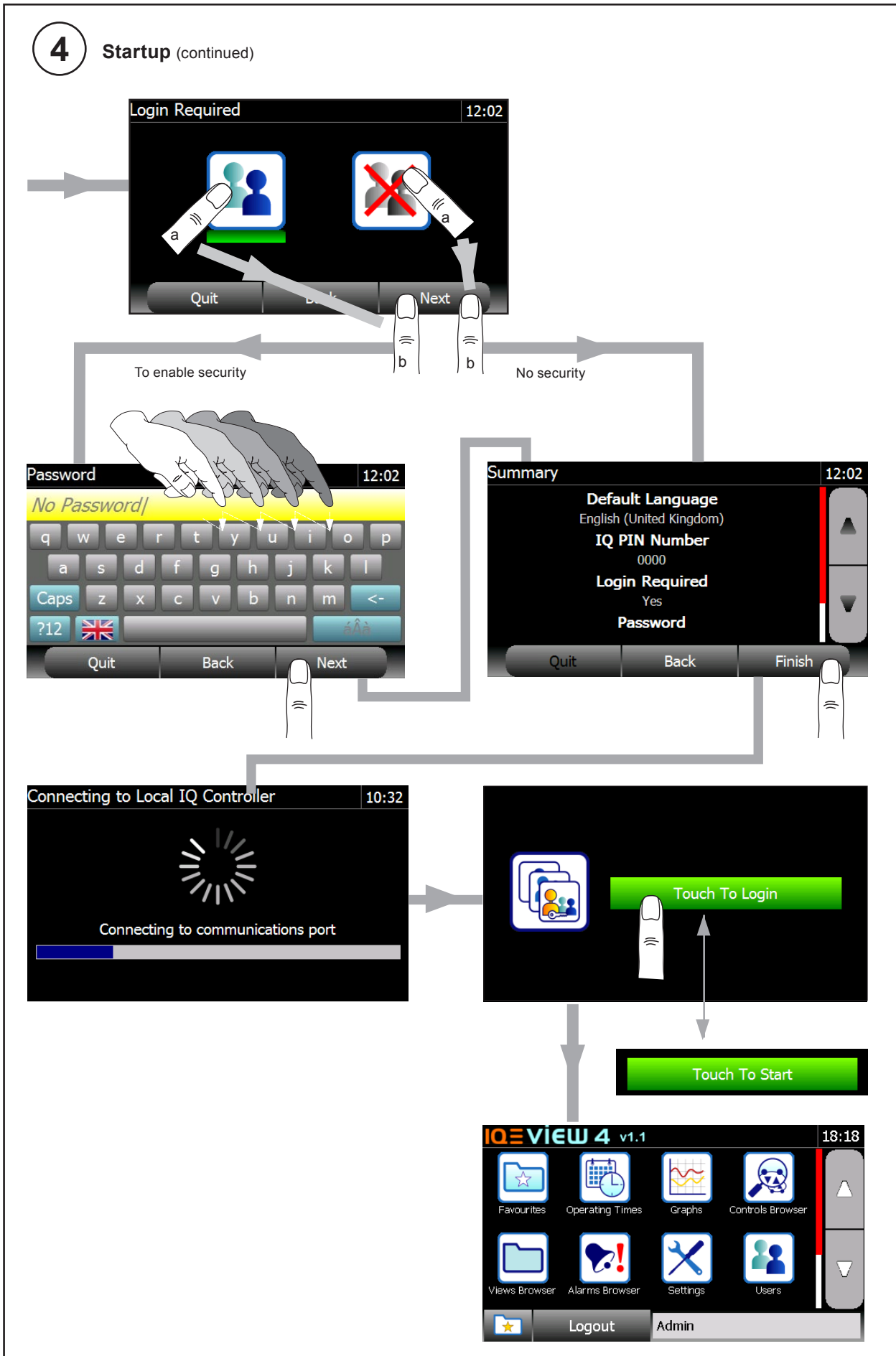
USB Stick: maximum size 2 Gbyte, fully formatted FAT/FAT32.



Enter IQ PIN number if set up in IQ (should be level 99 in IQ)

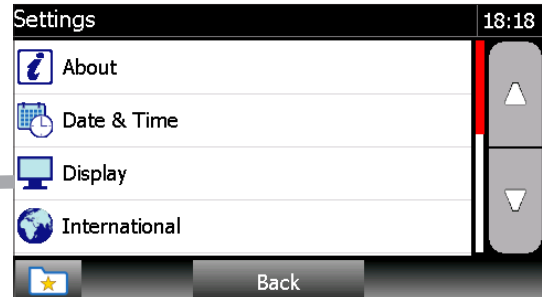
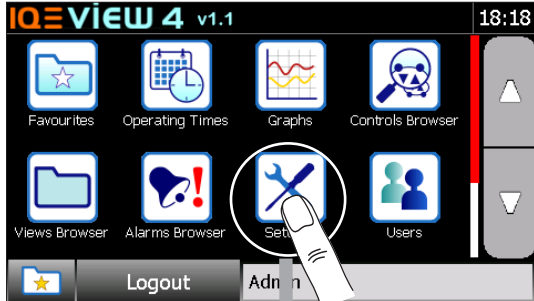
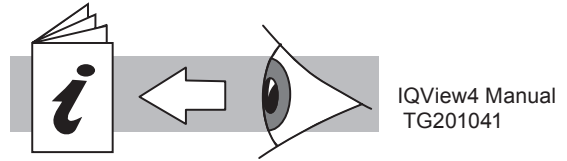
continued

3.2 Installation - Configuration (continued)



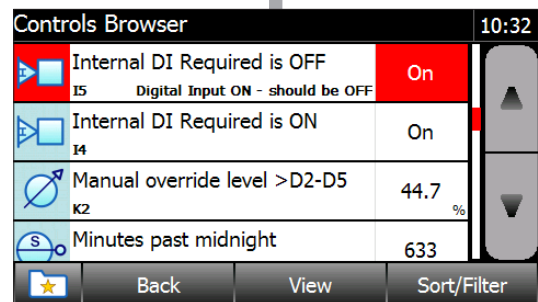
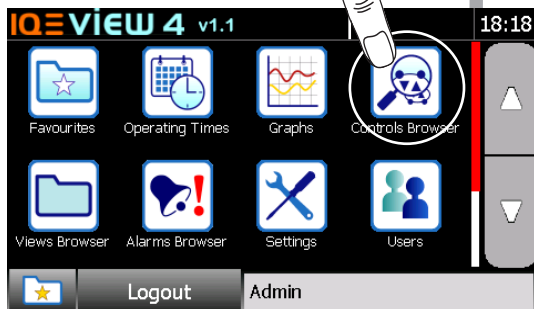
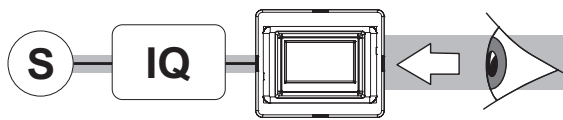
3.2 Installation - Configuration (continued)

5 Configure IQView4 (if required)



Group	Settings	Comments
Date and Time	Date	Obtained from controller
	Time	
	Daylight Saving	Set Daylight Saving start and stop dates
	Timemaster	Set up IQView4 to be Timemaster
Display	Backlight Delay	Time to half dim display (Default: 30s)
	Start Screen Saver after	Idle time before screen saver operates
	Screen Saver	Select screen saver file from USB port
International	Language	Screen Language
Security	Password	Enable/disable password required
	Idle timeout	Idle time before password times out and screen saver appears
	IQ PIN Number	PIN No of IQ connected
Sounds	Key click	Select key click ON/OFF (Default: OFF)
System	Restart	Perform a soft restart
	Restore to Defaults	Restore to factory defaults. This will also cause a restart as in step 4

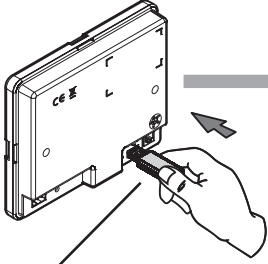
6 Test System



3.2 Installation - Configuration (continued)

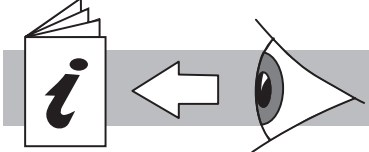
7 Backup Configuration

a



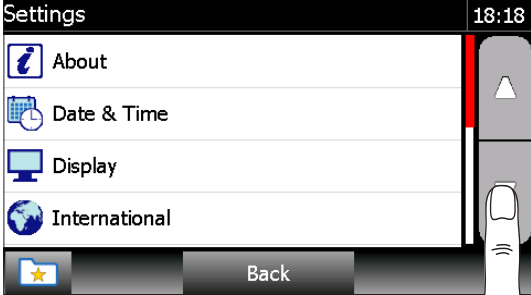
USB Stick: maximum size 2 Gbyte, fully formatted FAT/FAT32.

b

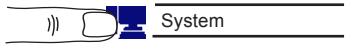


IQView4 Manual
TG201041

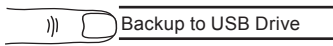
c



d



e

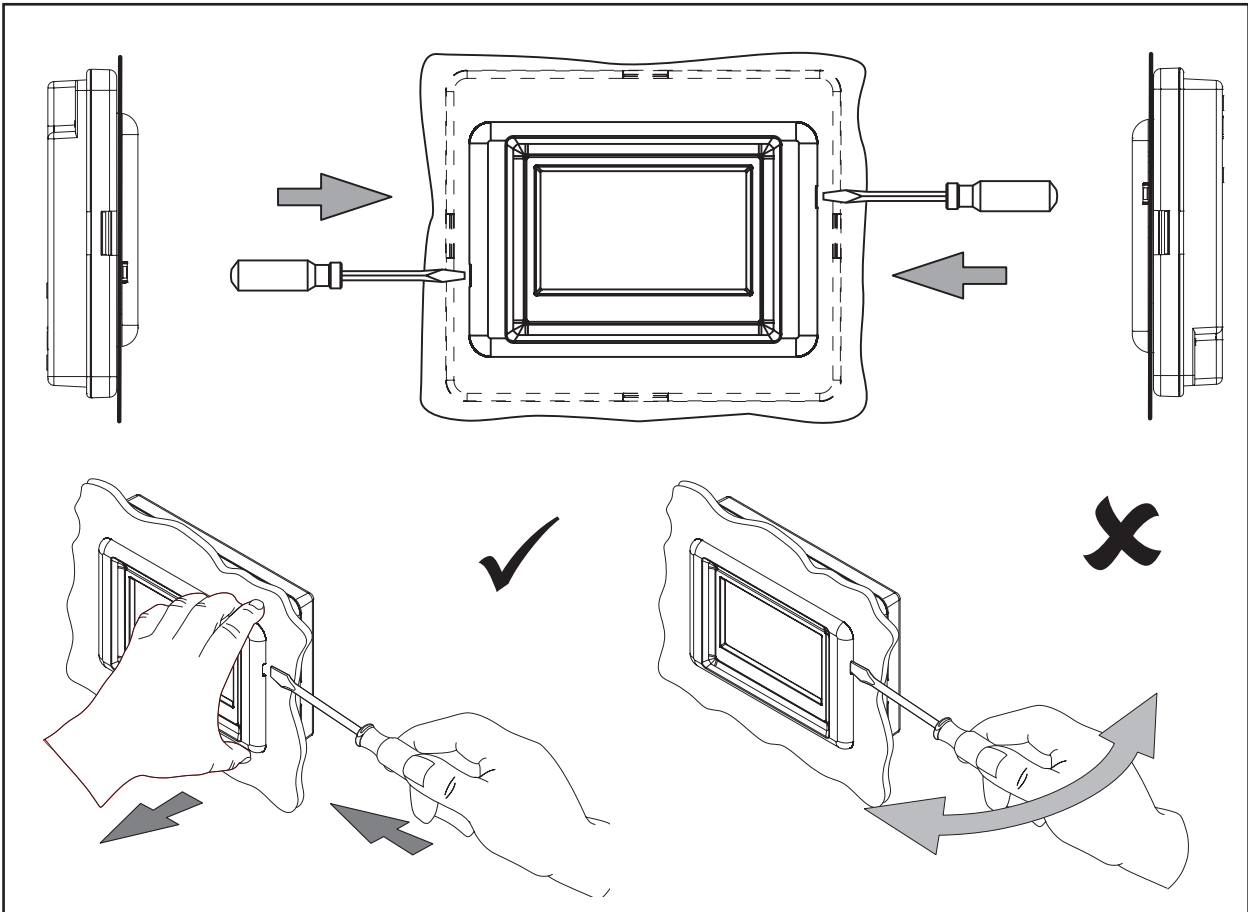


4 END USER LICENCE AGREEMENT

EULA Terms

- You have acquired an IQView4 (“Device”) that includes software licensed by Trend Control Systems Ltd from one or more software licensors (“Trend Control Systems Ltd Software Suppliers”). Such software products, as well as associated media printed materials and “online” or electronic documentation (“SOFTWARE”) are protected by international intellectual property laws and treaties. The SOFTWARE is licensed, not sold. All rights reserved.”
- IF YOU DO NOT AGREE TO THIS END USER LICENSE AGREEMENT (“EULA”), DO NOT USE THE DEVICE OR COPY THE SOFTWARE. INSTEAD, PROMPTLY CONTACT TREND CONTROL SYSTEMS LTD FOR INSTRUCTIONS ON RETURN OF THE UNUSED DEVICE(S) FOR A REFUND. **ANY USE OF THE SOFTWARE INCLUDING BUT NOT LIMITED TO USE ON THE DEVICE WILL CONSTITUTE YOUR AGREEMENT TO THE EULA (OR RATIFICATION OF ANY PREVIOUS CONSENT).**
- **GRANT OF SOFTWARE LICENSE.** This EULA grants you the following license:
 - You may use the SOFTWARE only on the DEVICE
 - **NOT FAULT TOLERANT.** THE SOFTWARE IS NOT FAULT TOLERANT. TREND CONTROL SYSTEMS LTD HAS INDEPENDENTLY DETERMINED HOW TO USE THE SOFTWARE IN THE DEVICE, AND TREND CONTROL SYSTEMS LTD’S SOFTWARE SUPPLIERS HAS RELIED UPON TREND CONTROL SYSTEMS LTD TO CONDUCT SUFFICIENT TESTING TO DETERMINE THAT THE SOFTWARE IS SUITABLE FOR SUCH USE.
 - NO WARRANTIES FOR THE SOFTWARE. **THE SOFTWARE is provided “AS IS” and with all faults. THE ENTIRE RISK AS TO SATISFACTORY QUALITY, PERFORMANCE, ACCURACY, AND EFFORT (INCLUDING LACK OF NEGLIGENCE) IS WITH YOU. ALSO, THERE IS NO WARRANTY AGAINST INTERFERENCE WITH YOUR ENJOYMENT OF THE SOFTWARE OR AGAINST INFRINGEMENT.** IF YOU HAVE RECEIVED ANY WARRANTIES REGARDING THE DEVICE OR THE SOFTWARE, THOSE WARRANTIES DO NOT ORIGINATE FROM, AND ARE NOT BINDING ON, TREND CONTROL SYSTEMS LTD’S SOFTWARE SUPPLIERS.
 - No Liability for Certain Damages. **EXCEPT AS PROHIBITED BY LAW, TREND CONTROL SYSTEMS LTD’S SOFTWARE SUPPLIERS SHALL HAVE NO LIABILITY FOR ANY INDIRECT, SPECIAL, CONSEQUENTIAL OR INCIDENTAL DAMAGES ARISING FROM OR IN CONNECTION WITH THE USE OR PERFORMANCE OF THE SOFTWARE. THIS LIMITATION SHALL APPLY EVEN IF ANY REMEDY FAILS OF ITS ESSENTIAL PURPOSE. IN NO EVENT SHALL TREND CONTROL SYSTEMS LTD’S SOFTWARE SUPPLIERS BE LIABLE FOR ANY AMOUNT IN EXCESS OF U.S. TWO HUNDRED FIFTY DOLLARS (U.S.\$250.00).**
 - **Limitations on Reverse Engineering, Decompilation, and Disassembly.** You may not reverse engineer, decompile, or disassemble the SOFTWARE, except and only to the extent that such activity is expressly permitted by applicable law notwithstanding this limitation.
 - **SOFTWARE TRANSFER ALLOWED BUT WITH RESTRICTIONS.** You may permanently transfer rights under this EULA only as part of a permanent sale or transfer of the Device, and only if the recipient agrees to this EULA. If the SOFTWARE is an upgrade, any transfer must also include all prior versions of the SOFTWARE.

5 REMOVAL OF BEZEL



6 DISPOSAL

WEEE Directive:

At the end of their useful life the packaging and product should be disposed of by a suitable recycling centre.

Do not dispose of with normal household waste.

Do not burn.

Please send any comments about this or any other Trend technical publication to techpubs@trendcontrols.com

© 2009 Honeywell Technologies Sàrl, ECC Division. All rights reserved. Manufactured for and on behalf of the Environmental and Combustion Controls Division of Honeywell Technologies Sàrl, Z.A. La Pièce, 16, 1180 Rolle, Switzerland by its Authorized Representative, Trend Control Systems Limited.

Trend Control Systems Limited reserves the right to revise this publication from time to time and make changes to the content hereof without obligation to notify any person of such revisions or changes.

Trend Control Systems Limited

Albery House, Springfield Road, Horsham, West Sussex, RH12 2PQ, UK. Tel:+44 (0)1403 211888 Fax:+44 (0)1403 241608 www.trendcontrols.com

Trend Control System USA

6670 185th Avenue NE, Redmond, Washington 98052, USA. Tel:(425) 869-3900 Fax:(425) 869-8445 www.trendcontrols.com
