

Spring return actuator with emergency function for adjusting air dampers in ventilation and air conditioning systems in buildings

- For air dampers up to approx. 2 m²
- Torque 10 Nm
- Nominal voltage AC 230 V
- Control: Open-close


Technical data

Electrical data	Nominal voltage	AC 230 V, 50/60 Hz
	Nominal voltage range	AC 195 ... 264 V
	Power consumption	In operation 6 W @ nominal torque At rest 2.5 W For wire sizing 9.5 VA
		Cable 1 m, 2 x 0.75 mm ²
Functional data	Torque Motor	Min. 10 Nm @ nominal voltage
	Spring return	Min. 10 Nm
	Direction of rotation	Can be selected by mounting L / R
	Manual override	With hand crank and interlocking switch
	Angle of rotation	Max. 95°↔, can be limited with adjustable mechanical end stop
	Running time	Motor ≤75 s (0 ... 10 Nm) Spring return ≤20 s @ -20 ... 50°C / max. 60 s @ -30°C
	Sound power level	Motor ≤45 dB (A) Spring return ≤62 dB (A)
	Service life	Min. 60,000 emergency positions
	Position indication	Mechanical
	Safety	Protection class
Degree of protection		IP54 NEMA2, UL Enclosure Type 2
EMC		CE according to 2004/108/EC
Low-voltage directive		CE according to 2006/95/EC
Certification		cULus according to UL 60730-1A and UL 60730-2-14 and CAN/CSA E60730-1:02 Certified to IEC/EN 60730-1 and IEC/EN 60730-2-14
Mode of operation		Type 1.AA
Rated impulse voltage		4 kV
Control pollution degree		3
Ambient temperature		-30 ... +50 °C
Non-operating temperature		-40 ... +80 °C
Ambient humidity	95% r.h., non-condensating	
Maintenance	Maintenance-free	
Dimensions / Weight	Dimensions	See «Dimensions» on page 2
	Weight	Approx. 1.8 kg

Safety notes


- The actuator is not allowed to be used outside the specified field of application, especially in aircraft or in any other airborne means of transport.
- Caution: Power supply voltage!
- It may only be installed by suitably trained personnel. Any legal regulations or regulations issued by authorities must be observed during assembly.
- The device may only be opened at the manufacturer's site. It does not contain any parts that can be replaced or repaired by the user.
- The cable must not be removed from the device.

Safety notes

(Continued)

- When calculating the required torque, the specifications supplied by the damper manufacturers (cross-section, design, installation site), and the air flow conditions must be observed.
- The device contains electrical and electronic components and is not allowed to be disposed of as household refuse. All locally valid regulations and requirements must be observed.

Product features

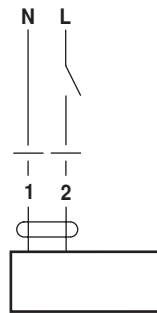
Mode of operation	The actuator moves the damper to the operating position at the same time as tensioning the return spring. The damper is turned back to the emergency position by spring force if the supply voltage is interrupted.
Simple direct mounting	Simple direct mounting on the damper spindle with a universal spindle clamp, supplied with an anti-rotation strap to prevent the actuator from rotating.
Manual override	Manual operation of the damper with the hand crank, locking in any position with the interlocking switch. Unlocking is manual or automatic by applying the operating voltage.
Adjustable angle of rotation	Adjustable angle of rotation with mechanical end stop.
High operational reliability	The actuator is overload-proof, requires no limit switches and automatically stops when the end stop is reached.

Electrical installation

Wiring diagram

Notes

- Caution: Power supply voltage!
- Parallel connection of other actuators possible. Note the performance data.



Cable colours:
1 = black
2 = red

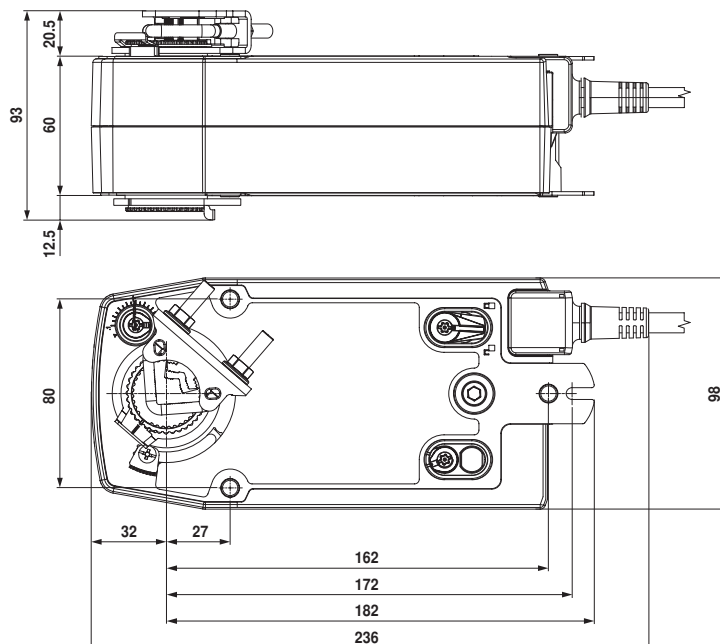
Accessories

Description

Electrical accessories	Auxiliary switch S2A-F
Mechanical accessories	Various accessories (clamps, shaft extensions etc.)

Dimensions [mm]

Dimensional drawings



Variant 1a:
3/4"-spindle clamp (with insertion part) EU Standard

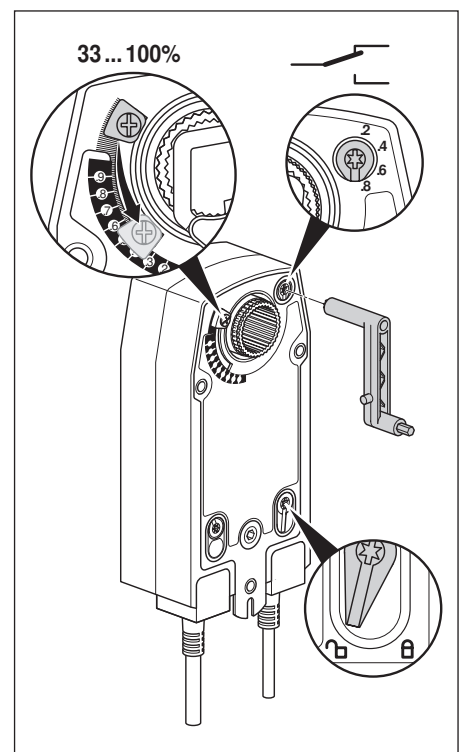
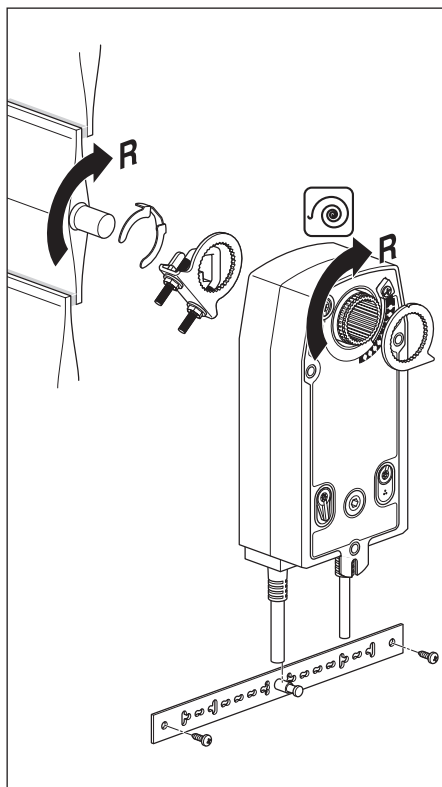
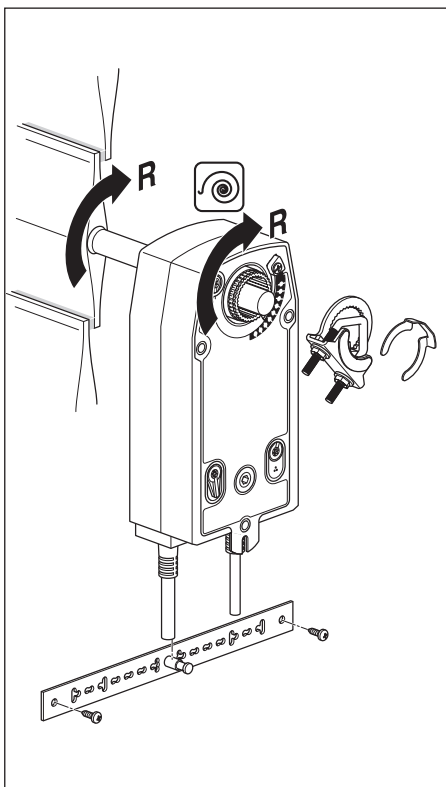
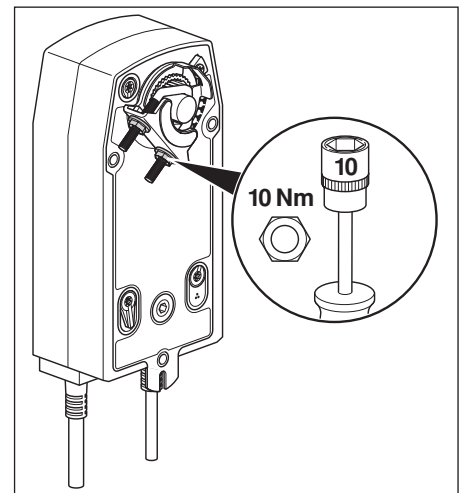
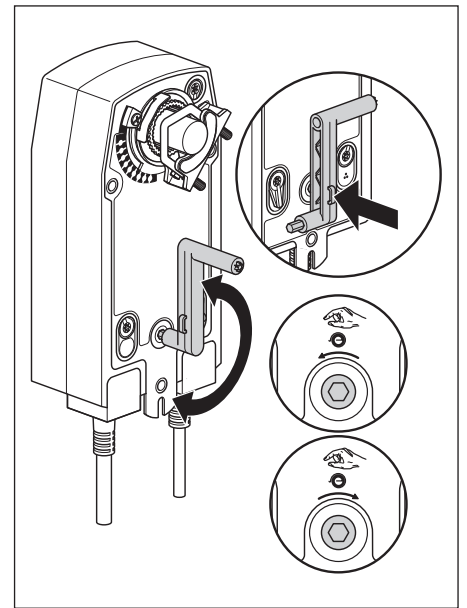
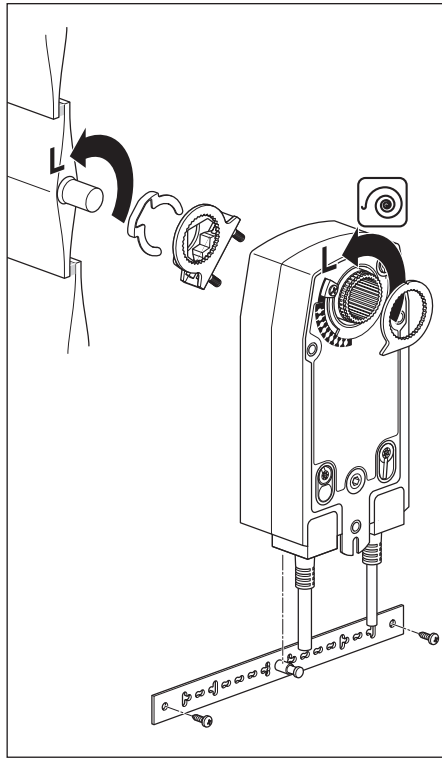
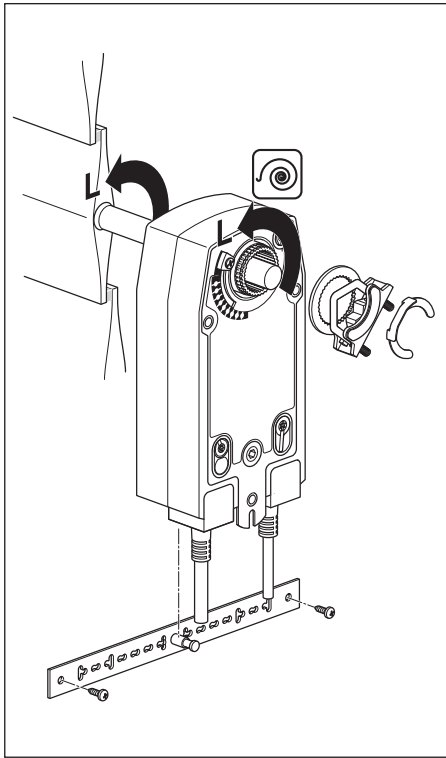
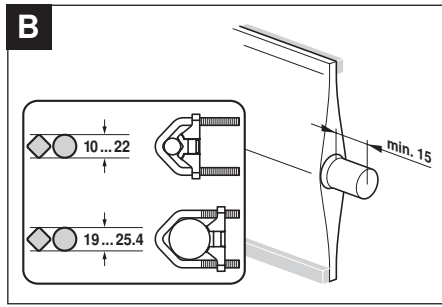
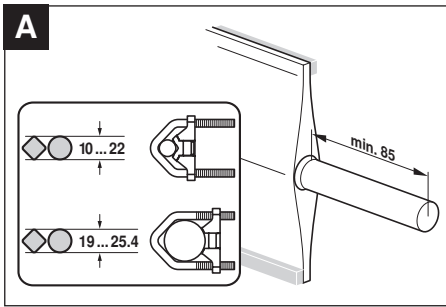
Damper spindle	Length	● I	■ I	◆ I
	≥85	10 ... 22	10	14 ... 25.4
	≥15			

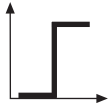
Variant 1b:
1"-spindle clamp (without insertion part) EU Standard

Damper spindle	Length	● I	■ I
	≥85	19 ... 25.4 (26.7)	
	≥15		12 ... 18

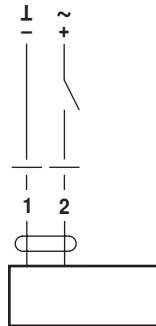
Variant 2:
1/2"-spindle clamp (optional via configuration)

Damper spindle	Length	● I	◆ I
	≥85	10 ... 19	
	≥15		14 ... 20

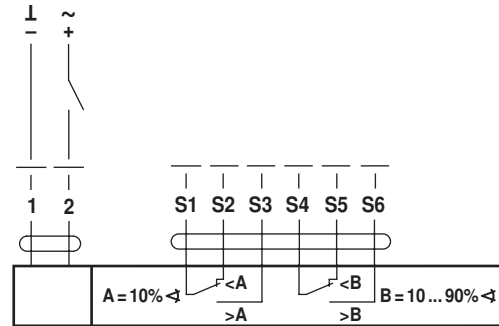




AC 24 V / DC 24 V

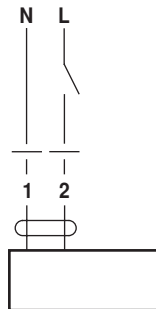


NF24A
SF24A

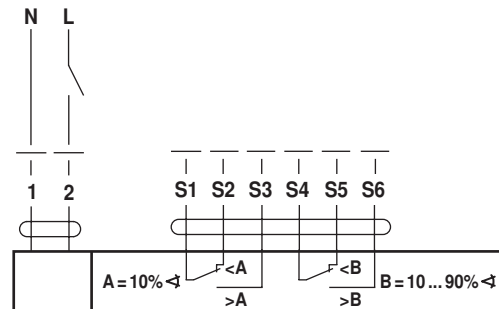


NF24A-S2
SF24A-S2

AC 100 ... 240 V ⚠



NF230A
SF230A



NF230A-S2
SF230A-S2